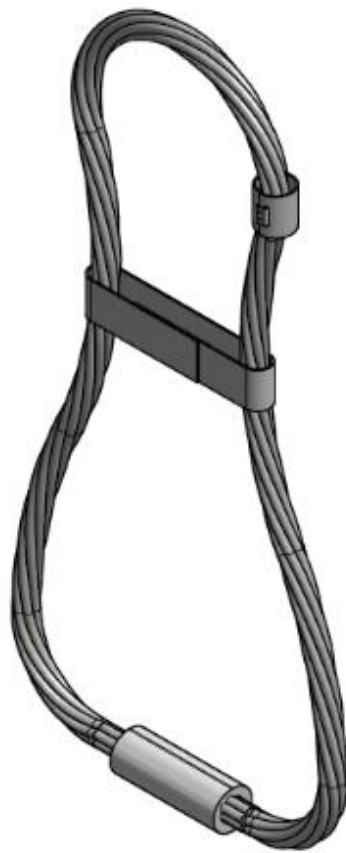


MOUNTING INSTRUCTIONS

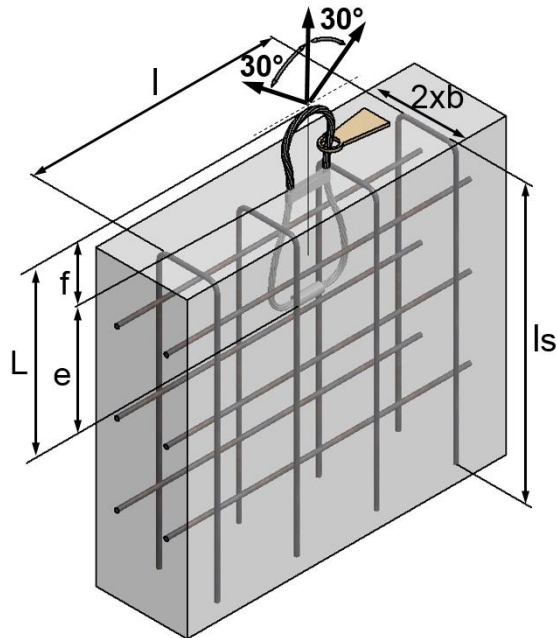


1D - LIFTING SYSTEMS | **TIL – CAST-IN LIFTING LOOPS**

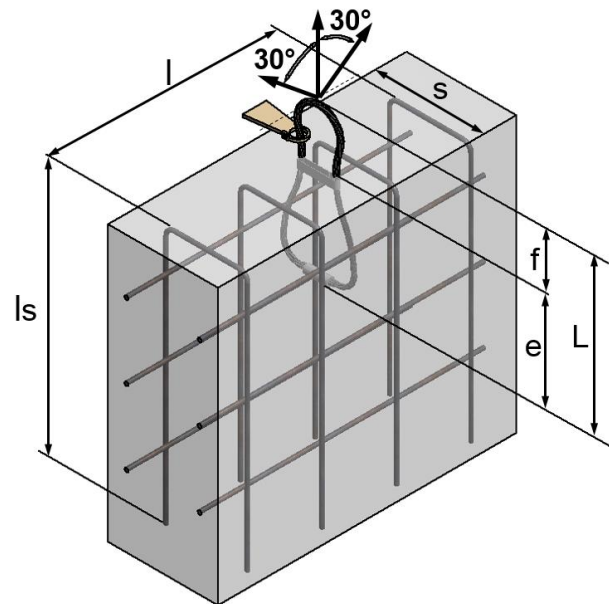


GENERAL GUIDANCE FOR CAST-IN WIRE LOOP SYSTEMS

Cast-in lifting loops TIL are used for lifting the precast concrete elements, especially beams. The lifting loop can easily be placed in the reinforcement cage of a precast unit. Part of the lifting system remains outside of the precast element for mounting the crane hook and lift.



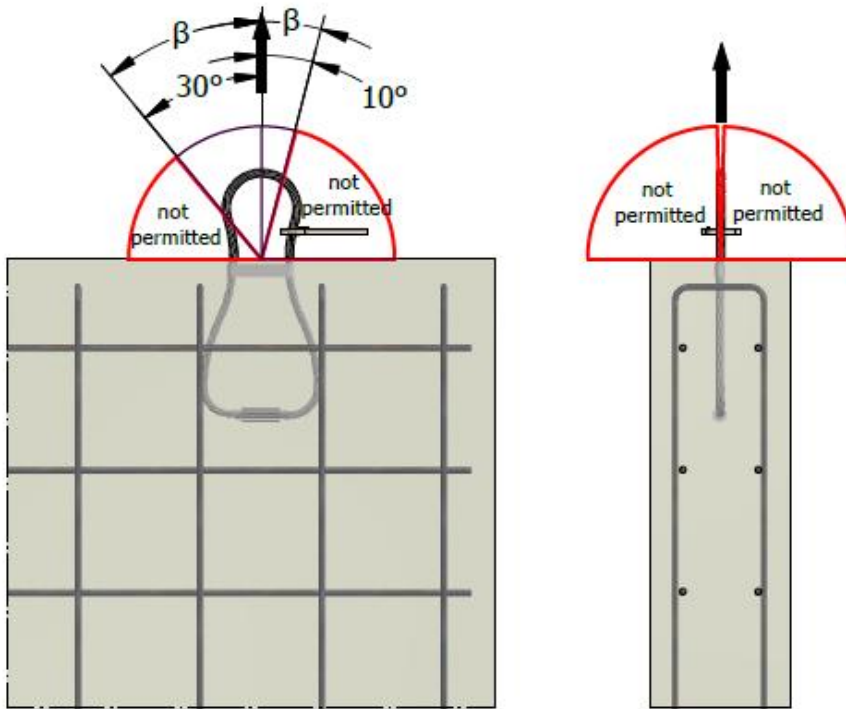
Longitudinal installation



Transversal installation

Installation details and reinforcement required for TIL – cast-in lifting system

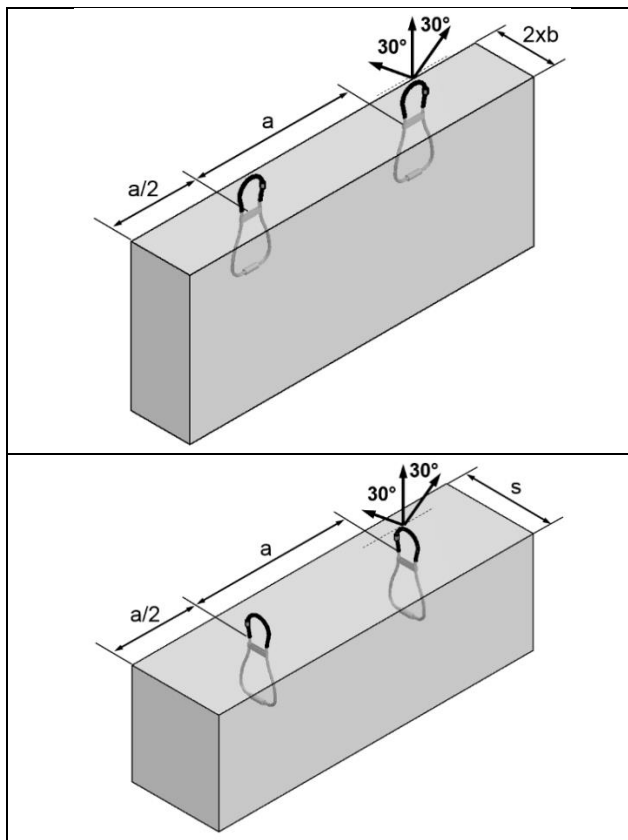
TIL	Dimensions cast-in		Reinforcement dimension		Axial pull	Diagonal pull	Axial pull	Diagonal pull
	f	e	Min ls	Min l	$\beta \leq 10^\circ$	$\beta \leq 30^\circ$	$\beta \leq 10^\circ$	$\beta \leq 30^\circ$
	[mm]	[mm]	[mm]	[mm]	Load capacity $f_{cu} > 15 \text{ MPa}$	Load capacity $f_{cu} > 15 \text{ MPa}$	Load group $f_{cu} > 30 \text{ MPa}$	Load capacity $f_{cu} > 30 \text{ MPa}$
TIL-008-210	60	150	250	400	0.7	0.5	0.8	0.6
TIL-012-225	65	160	300	450	1.1	0.9	1.2	1.0
TIL-016-235	70	165	350	500	1.5	1.2	1.6	1.3
TIL-020-275	75	200	350	550	1.8	1.4	2.0	1.6
TIL-025-315	85	230	450	650	2.3	1.8	2.5	2.0
TIL-040-340	100	240	500	700	3.6	2.9	4.0	3.2
TIL-052-360	100	260	550	800	4.7	3.8	5.2	4.2
TIL-063-390	110	280	600	950	5.7	4.6	6.3	5.0
TIL-080-440	120	320	700	1050	7.2	5.8	8.0	6.5
TIL-100-525	135	390	800	1200	9.0	7.2	10.0	8.0
TIL-125-570	150	420	900	1300	11.3	9.0	12.5	10.0
TIL-160-615	165	450	1000	1500	12.8	10.0	16.0	12.8
TIL-200-730	180	550	1150	1700	18.0	14.5	20.0	16.0
TIL-250-800	200	600	1300	1950	20.0	16.0	25.0	20.0
TIL-320-770	220	550	Reinforcement must be designed by the lifting design engineer and placed in accordance with the approved lifting design.		25.6	20.5	32.0	25.5
TIL-370-950	275	675			29.6	23.7	37.0	29.5
TIL-470-1100	320	780			37.6	30.0	47.0	37.5
TIL-520-1200	350	850			41.6	33.3	52.0	41.6



Load direction for cast in wire loop - TIL

Note:

Diagonal pull up to 30° is admissible.
 No lateral pull resulting from tilting is permissible.



TIL	Installation dimensions		Minimum width of precast element	
	a/2	a	s	2xb
	[mm]	[mm]	[mm]	[mm]
TIL-008-210	270	540	140	80
TIL-012-225	310	620	150	100
TIL-016-235	345	690	170	120
TIL-020-275	415	830	180	140
TIL-025-315	445	890	190	160
TIL-040-340	500	1000	220	200
TIL-052-360	515	1030	300	240
TIL-063-390	575	1150	320	280
TIL-080-440	645	1290	410	300
TIL-100-525	730	1460	440	320
TIL-125-570	810	1620	570	360
TIL-160-615	930	1860	630	420
TIL-200-730	1060	2120	680	450
TIL-250-800	1205	2410	760	500
TIL-320-770	1350	2700	800	540
TIL-370-950	1480	2960	830	580
TIL-470-1100	1645	3290	940	630
TIL-520-1200	1870	3740	1050	690

CONTACT



TERWA is the global supplier for precast and construction solutions with multiple offices around the world. With all our staff, partners and agents, we are happy to provide all construction and precast companies who work in the building industry with full service and 100% support.

TERWA CONSTRUCTION GROUP

Terwa Construction Netherlands (HQ)

Global Sales & Distribution
 Kamerlingh Onneslaan 1-3
 3401 MZ IJsselstein
 The Netherlands
T +31-(0)30 699 13 29
F +31-(0)30 220 10 77
E info@terwa.com

Terwa Construction Central East Europe

Sales & Distribution
 Strada Sânzieni
 507075 Ghimbav
 Romania
T +40 372 611 576
E info@terwa.com

Terwa Construction Poland

Sales & Distribution
 Ul. Cicha 5 lok. 4
 00-353 Warszawa
 Poland
E info@terwa.com

Terwa Construction India & Middle East

Sales & Distribution
 India
T +91 89 687 000 41
E info@terwa.com

Terwa Construction China

Sales & distribution
 5F 504, No. 101 Chuanchang road
 PRC, 200032, Shanghai
 China
E info@terwa.com

ALL SPECIFICATIONS CAN BE CHANGED WITHOUT PREVIOUS NOTICE.

DISCLAIMER

Terwa B.V. is not liable for deviations due to wear of the products it has delivered. Neither is Terwa B.V. liable for damage due to inaccurate and/or improper handling and use of the products it has delivered and/or use of same for purposes other than those intended.

Terwa B.V.'s responsibility is furthermore limited in accordance with article 13 of the "Metaalunie" conditions, which are applicable for all Terwa B.V. deliveries. The user is responsible for ensuring compliance with all applicable copyright laws. Without limiting the rights under copyright, no part of this documentation may be reproduced, stored in or introduced into a retrieval system, or transmitted in any form or by any means (electronic, mechanical, photocopying, recording, or otherwise), or for any purpose, without the express written permission of Terwa B.V.